

EXPLOSION PROOF ANTENNA COUPLERS



ORDERING GUIDE

This guide walks the user through six steps to specify a complete Solexy Antenna Coupler model code. Simply choose one order code selection from each step

STEP 1 : Choose basic model according to Antenna Connection

Digit: **XXX** XX XX XX X X - XX

AXF series
Atex & Nema7/9



RP-SMA Female
Suitable for RP-SMA Male antenna connector



Example

AXF XX XX XX X X - XX

ABF XX XX XX X X - XX

AXN series
Atex & Nema7/9



N Female
Suitable for N Male antenna connector



Example

AXN XX XX XX X X - XX

ABN XX XX XX X X - XX

STEP 2 : Choose thread connection and material

Digit: xxx **XX** XX XX X X - XX

Thread connection and material	Order Code	Note
3/4" npt stainless steel	3S	Suitable for Atex & Nema7/9 version
M25 stainless steel	MS	Suitable for Atex version only
1 1/8"-12 UNF stainless steel	SS	Suitable for MSHA version only

STEP 3 : Choose radio connection

Digit: xxx xx **XX** XX X X - XX

01	RP-SMA Male Straight		Suitable for RP-SMA Female radio connector		02	RP-SMA Female Straight		Suitable for RP-SMA Male radio connector	
03	SMA Male Straight		Suitable for SMA Female radio connector		04	SMA Female Straight		Suitable for SMA Male radio connector	
05	Reverse Thread SMA Male		Suitable for Reverse Thread SMA Female radio connector		06	Reverse Thread SMA Female		Suitable for Reverse Thread SMA Male radio connector	
07	N Male		Suitable for N Female radio connector		08	N Female		Suitable for N Male radio connector	
09	TNC Male		Suitable for TNC Female radio connector		10	TNC Female		Suitable for TNC Male radio connector	
11	BNC Male		Suitable for BNC Female radio connector		12	BNC Female		Suitable for BNC Male radio connector	
13	MCX Jack Male 90°		Suitable for MCX Female radio connector		14	MCX Jack Male Straight		Suitable for MCX Female radio connector	

15	MMCX Jack Male 90°		Suitable for MMCX Female radio connector		16	RP-SMA Male 90°		Suitable for RP-SMA Female radio connector	
17	Mini UHF Male		Suitable for Mini UHF Female radio connector		18	SMA Male 90°		Suitable for SMA Female radio connector	
19	SMB Jack Male		Suitable for SMB Plug Female radio connector		20	F Male		Suitable for F Female radio connector	
21	RP-TNC Male		Suitable for RP-TNC Female radio connector		22	RCA Plug Male Straight		Suitable for RCA Plug Female radio connector	
23	SMB Plug Female		Suitable for SMB Jack Male radio connector		24	UFL Plug Female		Suitable for UFL Jack Male radio connector	
25	RP-TNC Female		Suitable for RP-TNC Male radio connector		26	Reverse Thread SMA Male 90°		Suitable for Reverse Thread SMA Female radio connector	
27	RP-BNC Female		Suitable for RP-BNC Male radio connector		28	RP-BNC Male		Suitable for RP-BNC Female radio connector	
29	N Female Bulkhead Mount		Suitable for N Male radio connector						

STEP 4 : Choose coax cable length

Digit: xxx xx xx **XX** x x - xx

Order code	04	06	08	12	18	24	30
Cable Length	4	6	8	12	18	24	30
inch							
mm	102	152	203	305	457	610	762

Note: Even-inch increments are available from 4" to 30"


STEP 5 : Choose frequency range

Digit: xxx xx xx xx **X** x - xx

	Order code
Frequency range	full frequency range
	optimized from 169 MHz to 2.5 GHz
	optimized from 2 GHz to 6 GHz
	A
	J
	T

STEP 6 : Choose marking / certificate

Digit: xxx xx xx xx **X** x - xx

Marking	Order Code	Note
cURus Class 1, Division 1	blank	3/4" npt thread only UL recognized component
 I M2 (M1) Ex d mb [ia Ma] I Mb	X	3/4" npt or M25 threads only
II 2 (1) G Ex d mb [ia Ga] IIC Gb		IECEx and Atex certified component
II 2 (1) D Ex mb [ia Da] IIIC Db		
MSHA Accepted	M	1 1/8"-12 UNF thread only Accept for use in an MSHA approved mining machine or system

EXPLOSION PROOF ANTENNA COUPLERS



STEP 7 : Choose optional antenna adapter (leave blank for no adapter)

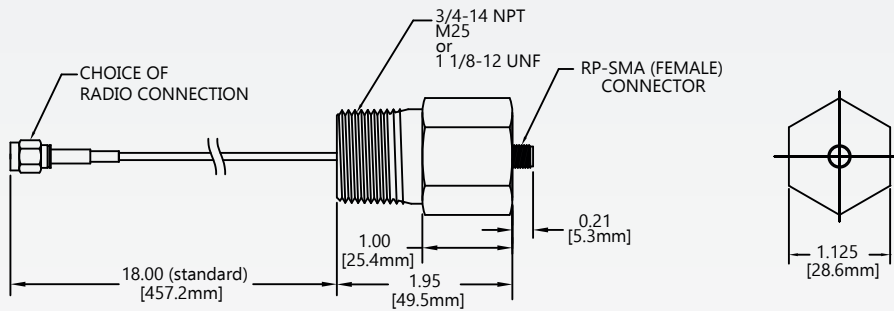
Digit: xxx xx xx xx x x - **XX**

02	RP-TNC Female for use with AXF		Suitable for RP-TNC Male antenna connector		03	RP-TNC Male for use with AXF		Suitable for RP-TNC Female antenna connector	
04	SMA Female for use with AXF		Suitable for SMA Male antenna connector		05	TNC Female for use with AXF		Suitable for TNC Male antenna connector	
06	TNC Male for use with AXF		Suitable for TNC Female antenna connector		08	Mini UHF Female for use with AXF		Suitable for Mini UHF Male antenna connector	
11	N Male for use with AXN		Suitable for N Female antenna connector		12	BNC Female for use with AXF		Suitable for BNC Male antenna connector	

Note: Adapter for AXF series, for AXN adapter consult factory

DIMENSIONAL DRAWING

AXF



AXN

