



SPECIFICATIONS

IECEX / ATEX Certification	BAF	BXF3S & BXFMS
	 I (M1) Ex ia Ma] II (1) G [Ex ia Ga] IIC II (1) D [Ex ia Da] IIIC	 I M2 (M1) Ex d mb [ia Ma] I Mb II 2 (1) G Ex d mb [ia Ga] IIC T5 Gb II 2 (1) D Ex mb [ia Da] IIIC T100°C Db
ATEX certificate nr	DNV 14 ATEX 4192X	
IECEX certificate nr	IECEX DNV 14.0024X	
cULus Certification	BAF3 and BXF3	
	Class I, Group A, B, C, D and Class II, Group F, G (UL File E305231)	
Maximum Fault Voltage	RMS 250 V	
Current Protection	50 mA	
Frequency Range	up to 100 MHz	
Insertion loss	-5.5 dB	
Total impedance	< 100 Ohm	
Protection	3.6 V	
Ambient Temperature Range	-20°C (-4°F) +85°C (+140°F)	
Ethernet connection	IEEE 802.3 - 100BaseTX - 100 Mbps (not suitable for POE connection)	
Data connector (hazardous side)	M12 Industrial "D" coded connector	
Housing Material	BXF = 300 SST (approximate weight 0.38 kg (83.8 lb)) BAF = T6 Aluminum nickel plated (approximate weight 0.2 kg (4.4 lb))	

Data contained in this specification are subject to change without notice

NOMENCLATURE

aaa	Barrier Type	
	BXF	Explosion Proof / Intrinsically Safe suitable for hazardous area
	BAF	Intrinsically Safe suitable for safe area and UL purge panels
b	Thread Connection	
	3	3/4" NPT
	M	M25x1.5 (IECEX and ATEX only)
	S	1 1/8"-12 UNF (MSHA only)
c	Housing Material	
	A	Aluminum T6 Nickel Plated (BAF only)
	S	300 series stainless steel (BXF only)
dd	Housing Connector	
	01	Shielded M12 Female "D" coded

BXF	3	S	01	01	N	018
aaa	b	c	dd	ee	f	ggg

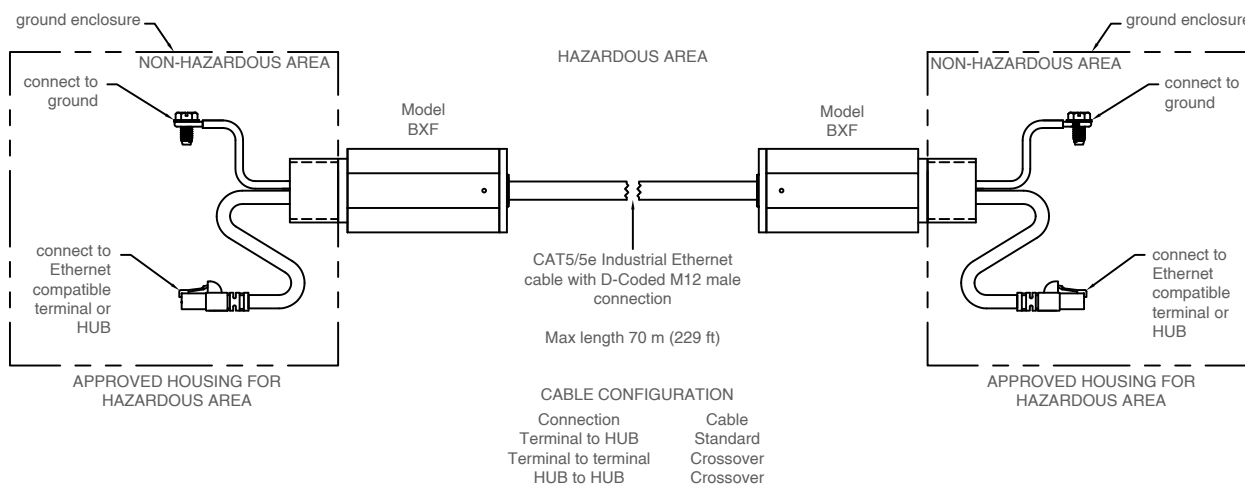
ee	Cable Connector	
	01	RJ45 Plug Male
	02	Shielded M12 Male "D" coded
	03	Shielded M12 Female "D" coded
f	Approval	
	N	cULus
	X	IECEX and ATEX
	M	MSHA
ggg	Cable Length	
	018	18" (457 mm) CAT5e (included in the 70 meters max)
	***	to be defined



■ INSTALLATION SCHEMES

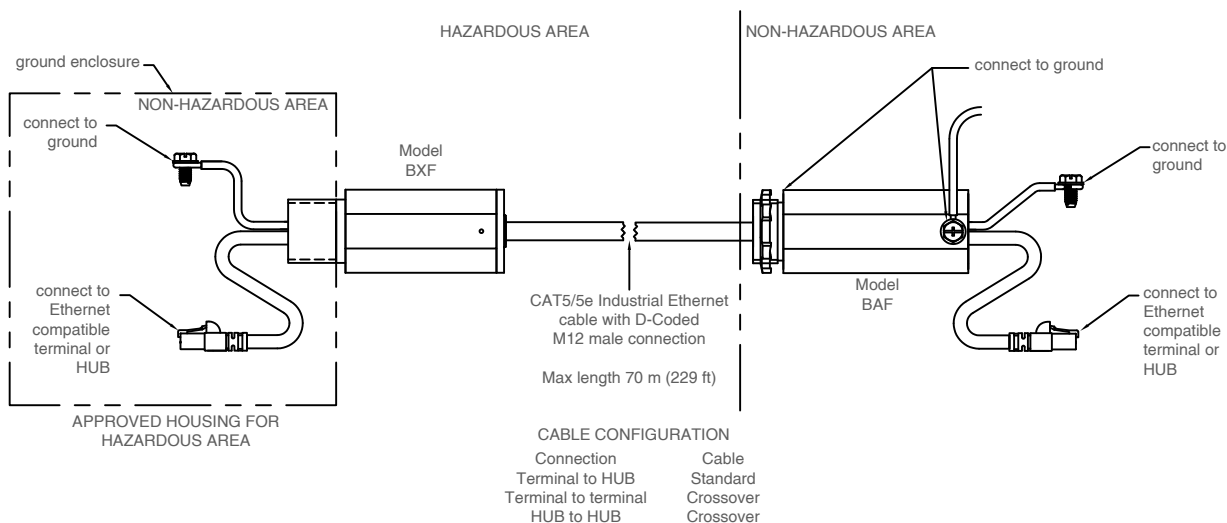
DEVICES INSTALLED IN A HAZARDOUS AREA

A BXF Coupler must be used at either end of the Ethernet cable to ensure the safety of this system. The BXF must be securely mounted and grounded within a UL/CSA, MSHA or ATEX/IECEX approved explosion proof enclosure.



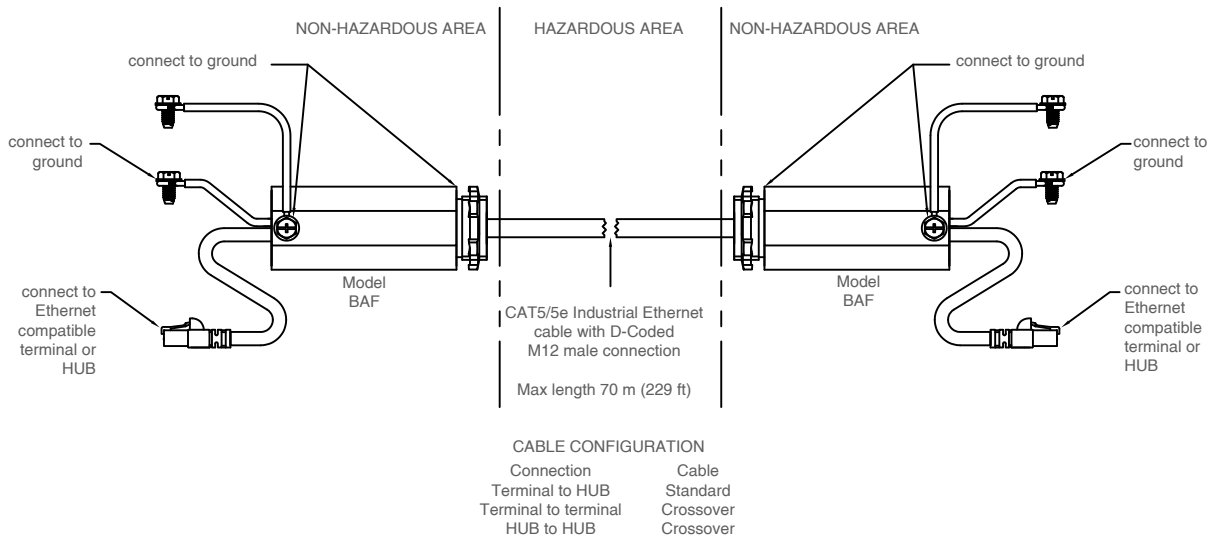
DEVICES INSTALLED IN BOTH AN HAZARDOUS AND A SAFE AREA

One BAF and one BXF Coupler must be used at opposite ends of the Ethernet cable to ensure the safety of this system. The BXF must be securely mounted and grounded within a UL/CSA, MSHA or ATEX/IECEX approved explosion proof enclosure.



DEVICES INSTALLED IN A SAFE AREA (CABLE IN A HAZARDOUS AREA)

A BAF Coupler must be used at either end of the Ethernet cable to ensure the safety of this system.



DIMENSIONAL DRAWINGS

